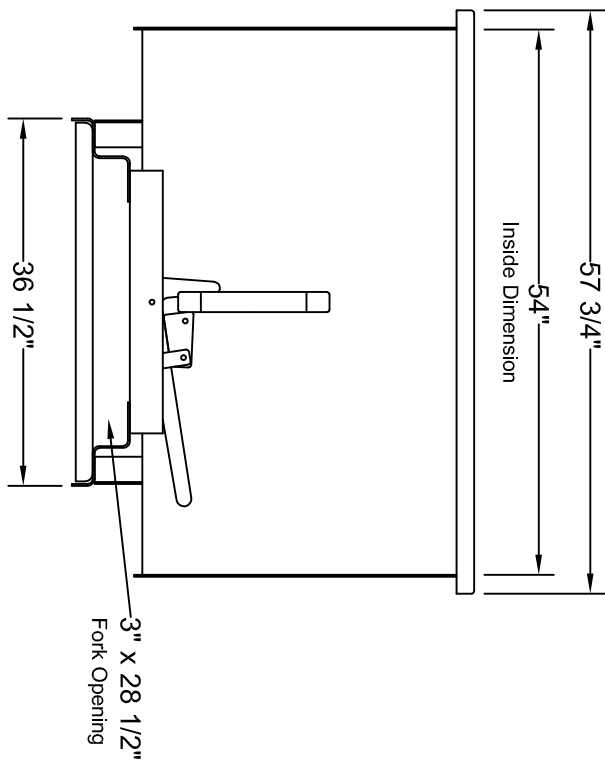
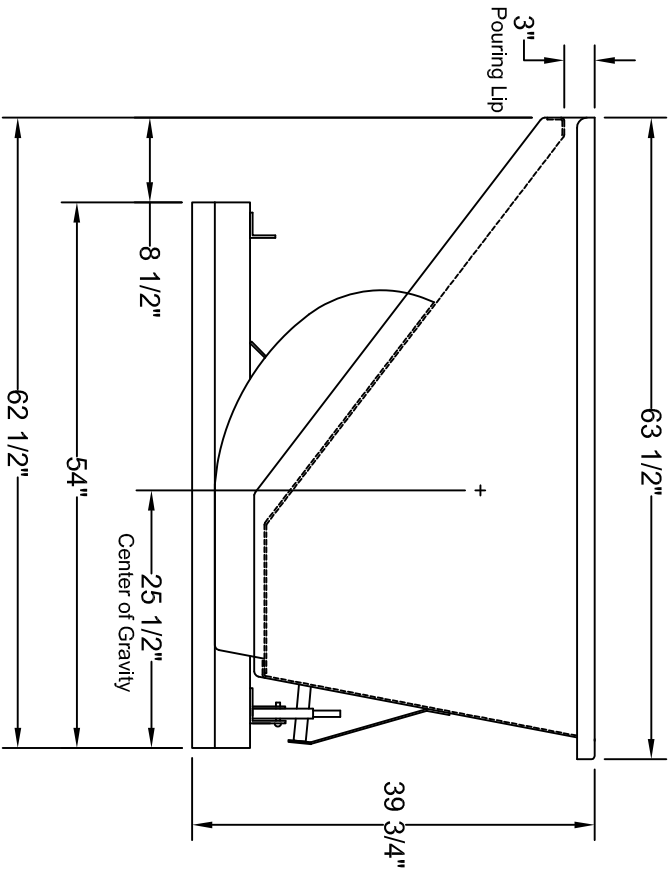
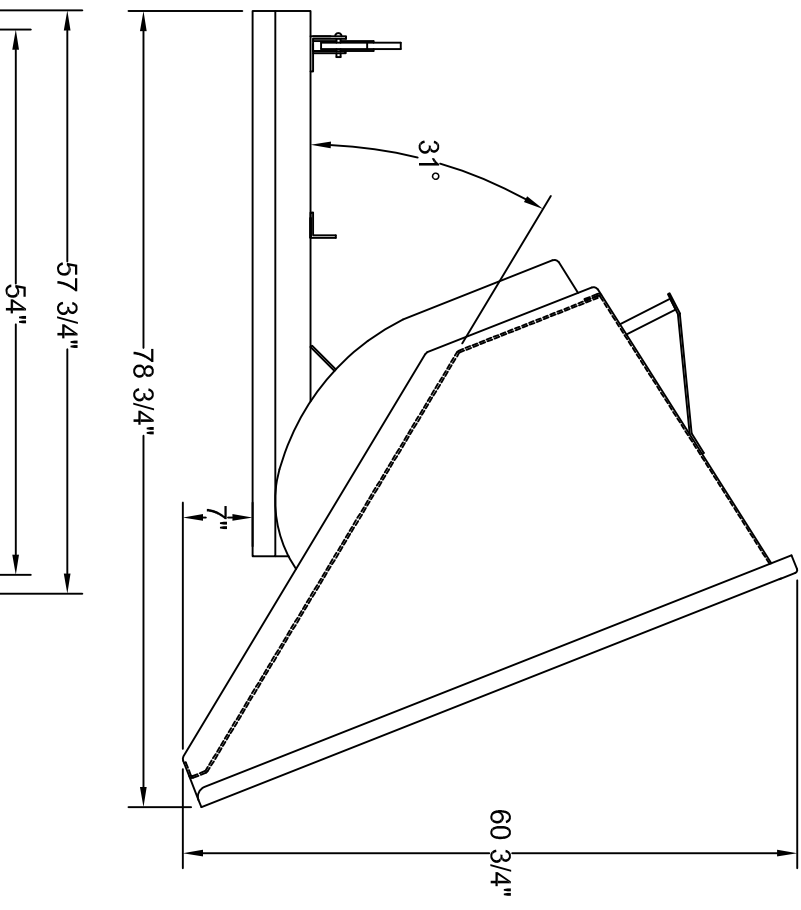


REVISIONS				
ZONE	REV	DESCRIPTION	DATE	APPROVED



Note: All dimensions are approximate some dimensions may vary slightly per hopper



McCullough Ind., Inc.

1 1/2 yd Hopper Basic Dimensions

UNLESS OTHERWISE SPECIFIED: DIMENSIONS ARE IN INCHES DECIMALS ± .050 ANGULAR ± 0.5 DO NOT SCALE DRAWING		DATE
DRAWN		
CHECKED		
DESIGN		
SIZE	FSCM NO.	DWG NO.
B		15055, 10577, 10599
SCALE	None	SHEET 1 OF 1