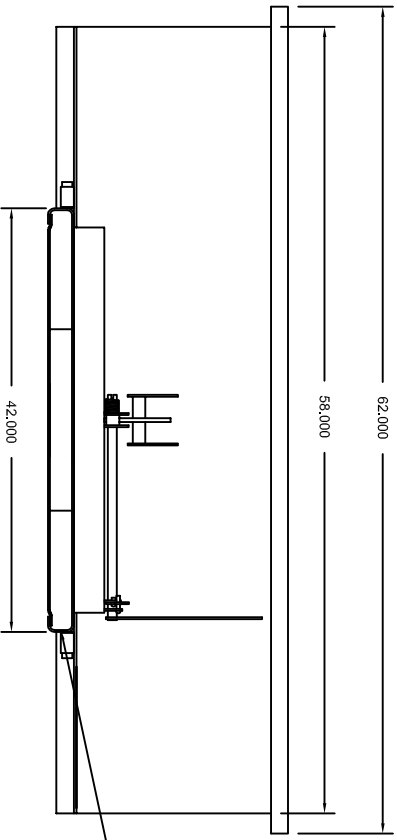
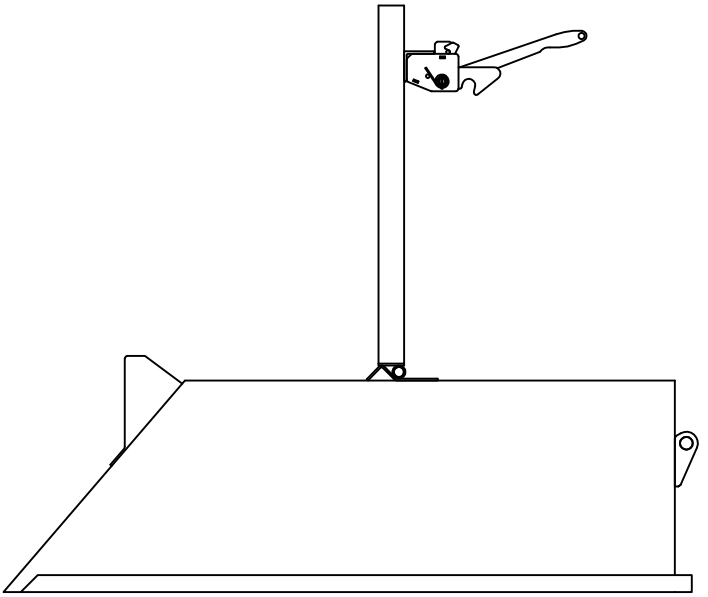
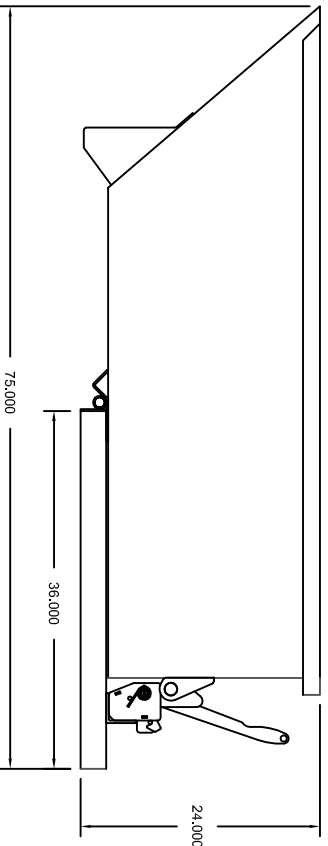


REVISIONS				
ZONE	REV	DESCRIPTION	DATE	APPROVED



2 PLACES 2" X 10"
Fork Opening



Note: All dimensions are approximate some dimensions may vary slightly per hopper

UNLESS OTHERWISE SPECIFIED: DIMENSIONS ARE IN INCHES TOLERANCES DECIMALS ± .05 .XX ± .05 .XX ± .05 .XX ± .05 DO NOT SCALE DRAWING					
CHECKED	DATE	SIZE	FSCM NO.	DWG NO.	REV
DESIGN		B			
DRAWN		SCALE	None		SHEET 1 of 1
1 1-2YD Low Profile Hopper				McCullough Ind., Inc.	