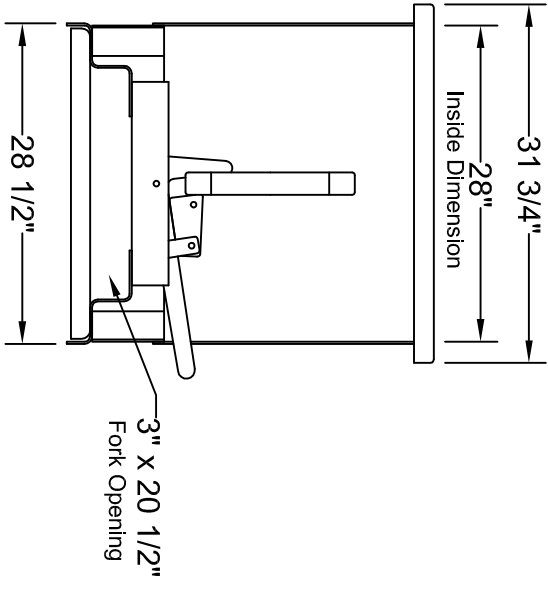
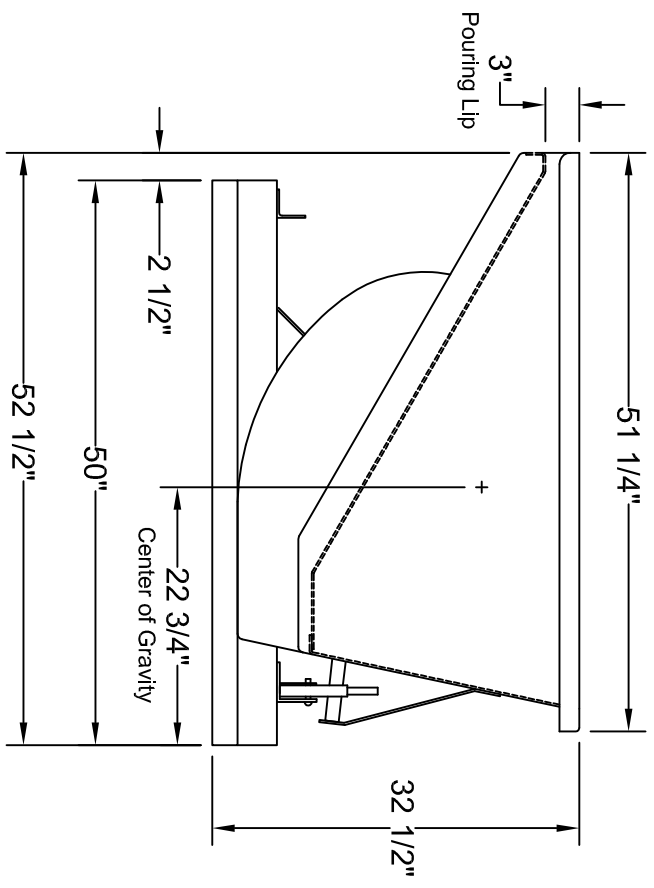
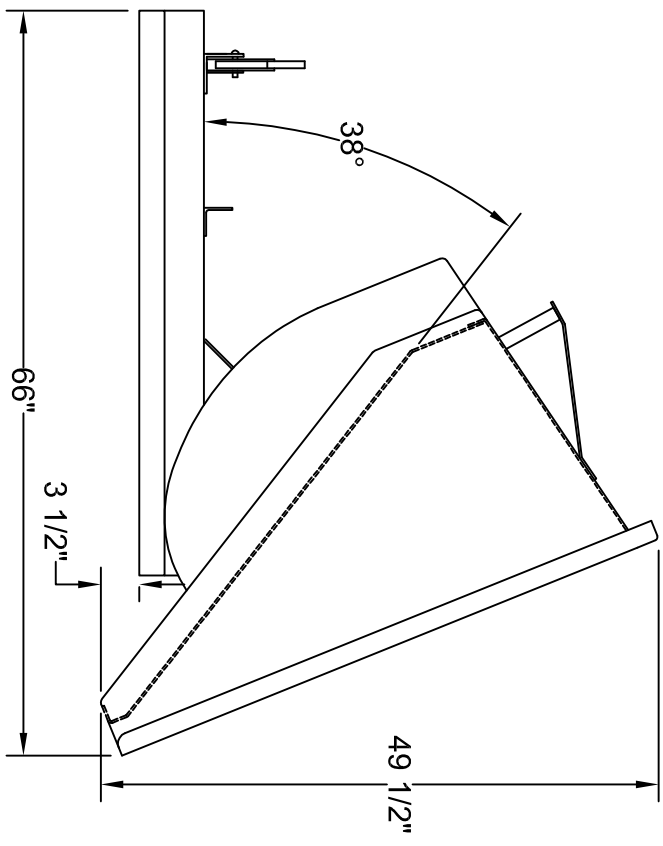


REVISIONS				
ZONE	REV	DESCRIPTION	DATE	APPROVED



Note: All dimensions are approximate some dimensions may vary slightly per hopper



McCullough Ind., Inc.

1/3 yd Hopper Basic Dimensions

UNLESS OTHERWISE SPECIFIED: DIMENSIONS ARE IN INCHES DECIMALS ± .050 ANGULAR ± 0.5° DO NOT SCALE DRAWING		DATE	
DRAWN			
CHECKED			
DESIGN			
SIZE	FSCM NO.	DWG NO.	REV
B		3355, 3377, 3399	
SCALE	None	SHEET	1 OF 1